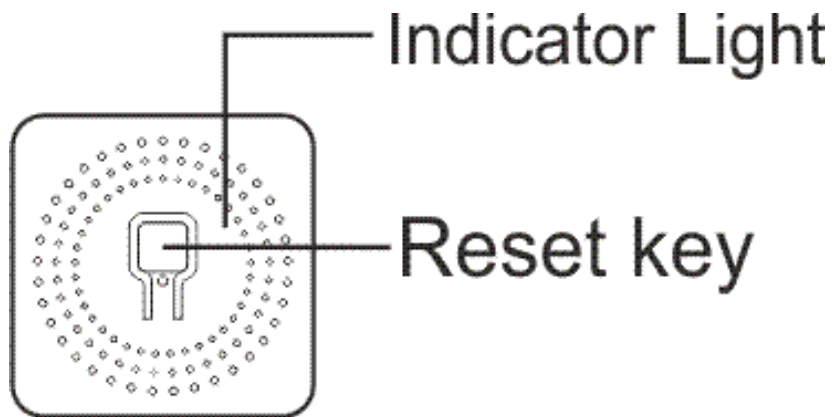


Instrukcijų vadovas

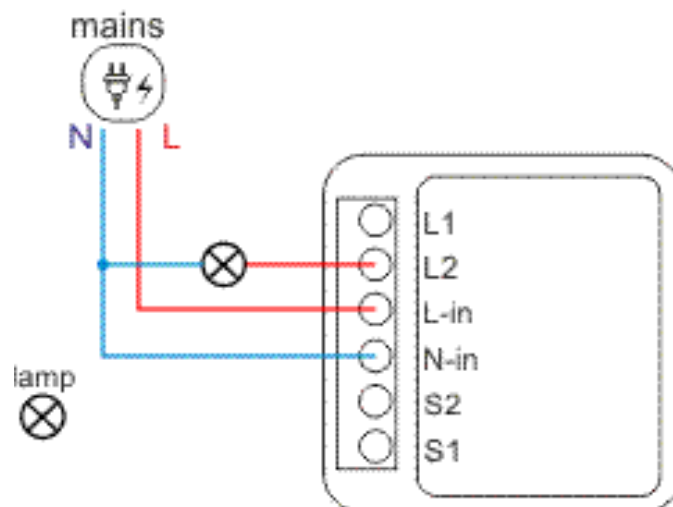
Išmanusis WiFi jungiklio modulis L13

Jums reikės „Nous Smart Home“ programos. Nuskaitykite QR kodą arba atsisiųskite jį iš [tiesioginės nuorodos](#)

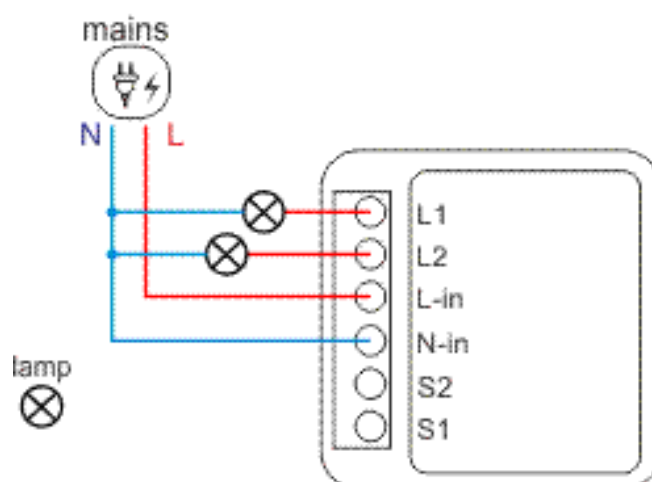


Kaip prijungti laidą

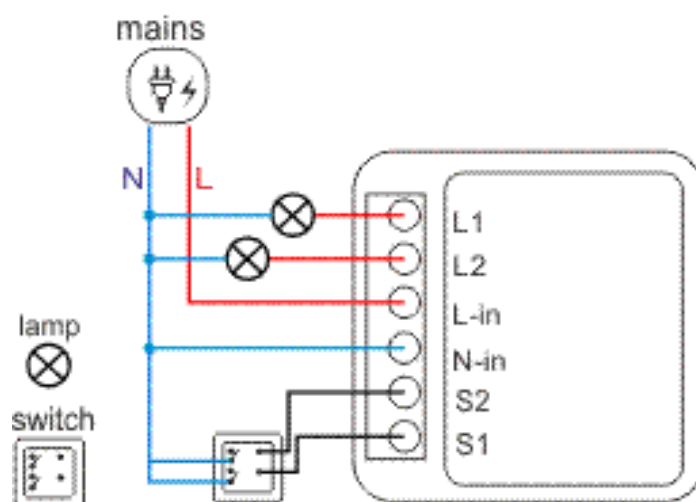
1 gang



2 gang



2 gang 1 way



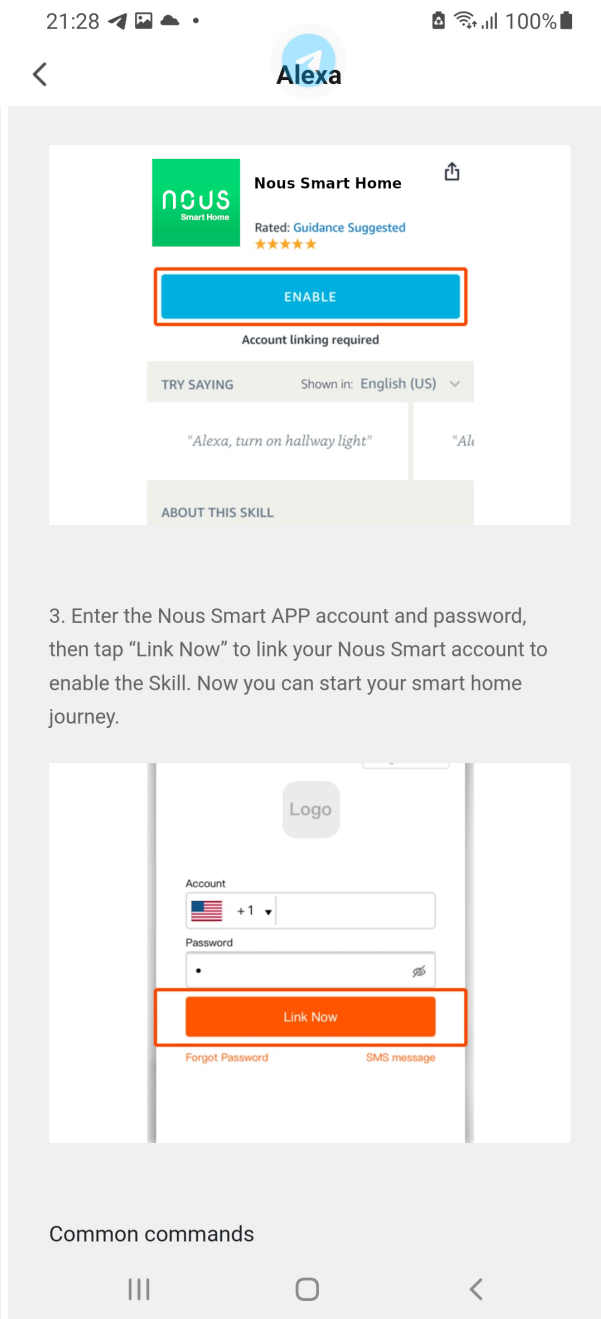
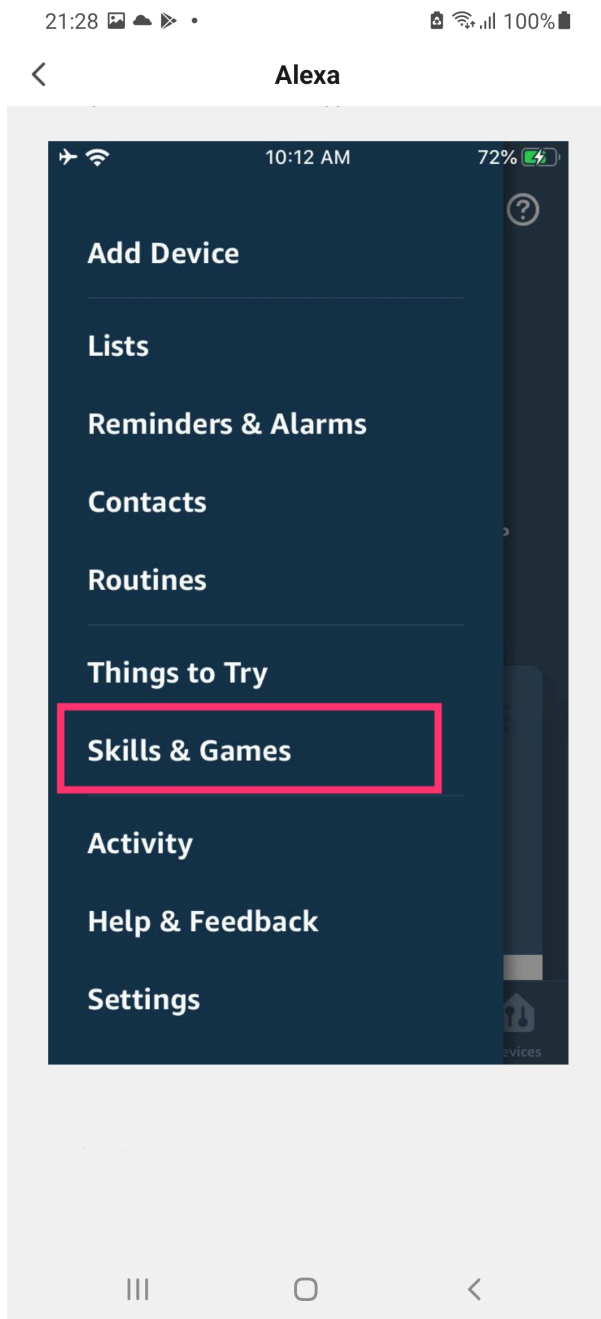
Kaip pridėti įrenginį prie „Nous Smart“ programos

1. Įjunkite įrenginį
2. Įsitinkite, kad indikatorius mirksi greitai (jei ne, palaikykite maitinimo mygtuką 5 sekundes, kol pradės greitai mirksėti)
3. Turn on Bluetooth and Location on your phone(temporarily)
4. Open Nous Smart app
5. Press + and Add device
6. Autoscans will appear and it will suggest you to add new device

7. Confirm connection and your WiFi network data
8. Start pairing
9. After pairing is done, you can rename your device if you wish and its ready to be used
10. If autoscan does not see your device, you can pick it manually from the list and proceed to connection from step number 7.

How to connect your device with Alexa

1. You have to have Alexa app on your smartphone
2. Go to settings and press "Skill and Games"
3. Search for the Nous Smart Home skill
4. Enable it
5. Link your Nous account with Alexa
6. Ask Alexa to discover new devices



3. Enter the Nous Smart APP account and password, then tap "Link Now" to link your Nous Smart account to enable the Skill. Now you can start your smart home journey.

How to connect your device with Google Home

1. You have to have Google Home app on your smartphone
2. Go to the home settings and press "works with google"
3. Search for the Nous Smart Home
4. Susiekite paskyrą su „Google Home“.
5. Visi įrenginiai iš „Nous Smart“ programos po sinchronizavimo bus rodomi „Google Home“.

