

OPERATING MANUAL

1. DESCRIPTION

The NOUS B5Z (hereinafter - the switch) is designed to organize automatic and manual shutdown of electrical appliances in the room, through remote access via the Internet, using a smartphone or tablet with the Nous Smart Home application installed. Communication with the switch is configured through a remote server using the P2P protocol, for which a wireless ZigBee adapter is used.

The switch is equipped with a mechanical button and a global indication of the device status. The device is equipped with an electromechanical relay.

It is intended for installation behind a wall switch or inside a mounting/junction box where space is limited, allowing you to make almost any switch or socket «smart» and integrate it into a Zigbee ecosystem. Zigbee 3.0 provides reliable wireless communication, low power consumption (up to 1 W), and support for mesh networking.

IMPORTANT: You will need a Nous E1, Nous E7, Nous E15 or other Tuya compatible ZigBee gateway/hub to connect.

The connection of a switch to the Internet cannot be guaranteed in all cases, as it depends on many conditions: the quality of the communication channel and intermediate network equipment, the make and model of the mobile device, the version of the operating system, etc. (and may not always depend on the proper functioning of the switch or the ZigBee gateway/hub).

DEVICE FEATURES:

- Single channel (1 channel, with PM)
- Bluetooth control. After successful pairing of the app and the switch, even if the phone and the switch are offline, you can turn the smart switch on/off via the app at a distance of up to 10 meters.
- Manual control of the module. The module can be turned on/off by pressing the button on the housing. This allows you to check system operation immediately after installation.
- Group control. Multiple modules can be configured for group control, allowing you to control several devices with a single tap.
- Power-off memory function. Allows the device to save and restore previous settings after a power outage or sudden power loss. You can set the behavior to OFF, ON, or Restore in the app.
- Overload protection. Built-in protection against overcurrent (8.5 A), overvoltage (265 V), and undervoltage (85 V). If these limits are exceeded, the switch will automatically shut off the power.

2. TECHNICAL CHARACTERISTICS

Model	NOUS B5Z
Channel	1
Power meter	Yes

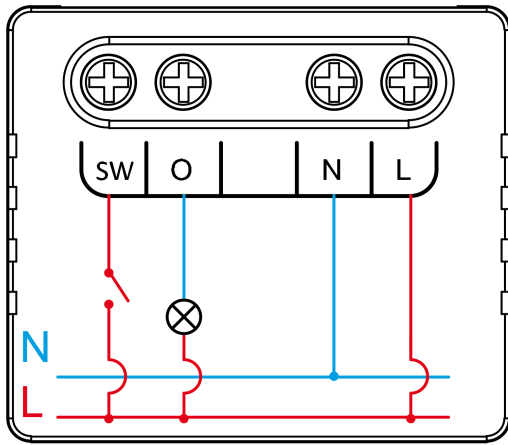
Network	Zigbee 3.0, 802.15.4
Frequency Range	2400-2483 MHz
Max. Transmit Power	10 dBm
Output Power	Max. Current: 8A, Power: 2000W, AC Voltage: 100-240V.
Input Power	100-240 V AC, 50/60 Hz
Standby Power Consumption	<1 W
Overload protection	Yes (>8.5 A; >265 V, <85 V)
Security	WAP/WAP2, WEP/TKIP/AES
Encryption	WEP/TKIP/AES
Working Temperature	-20°C ~ 40°C
Product size and Weight	29*34*17 mm, 21 g

3. CONNECTION DIAGRAM AND OPERATION OF THE DEVICE



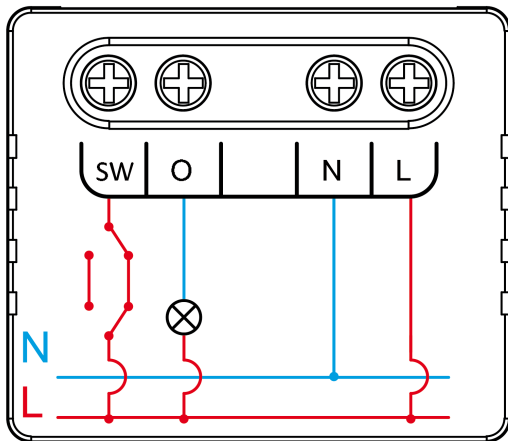
- SW** Switch (controlling «O») input terminal
- O** Load circuit output terminal
- L** Live terminal (110-240V)
- N** Neutral terminal

Connection types



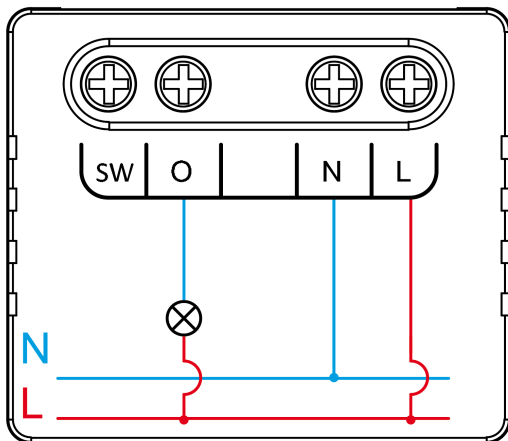
NOUS B5Z
1 SWITCH

1. With one switch (regular light)



NOUS B5Z
2 SWITCHES

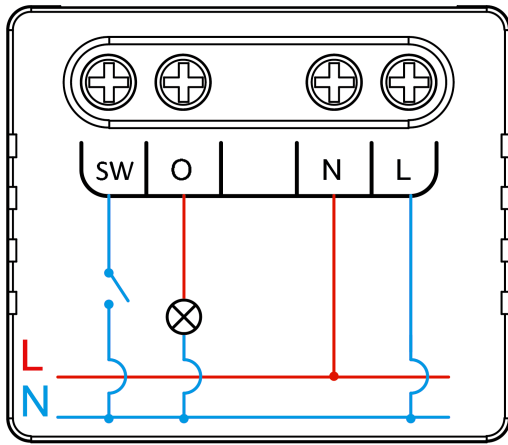
2. With two switches (staircase lighting circuit)



NOUS B5Z
OUTLET

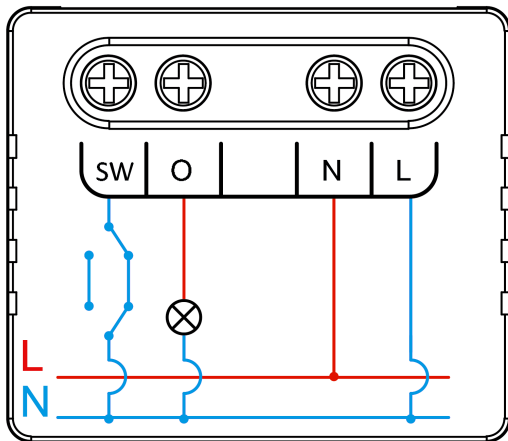
3. Without a switch (socket)

Connection types - analog connection, Live wire (Phase) disconnect



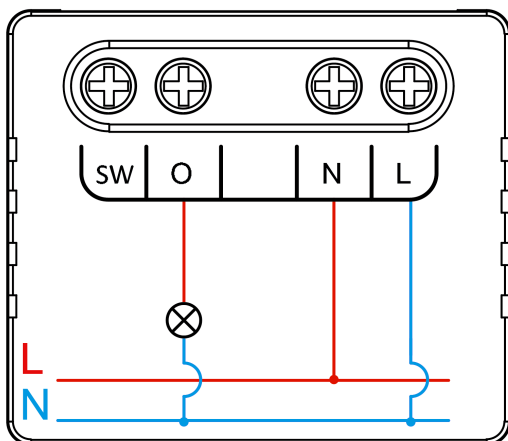
NOUS B5Z
1 SWITCH

1. With one switch (regular light)



NOUS B5Z
2 SWITCHES

2. With two switches (staircase lighting circuit)



NOUS B5Z
OUTLET

3. Without a switch (socket)

4. SAFETY AND PRECAUTIONARY MEASURES

- Please read this manual carefully.

- Use the product within the temperature and humidity limits specified in the technical data sheet.
- Do not install the product near heat sources such as radiators, etc.
- Do not allow the device to fall or be subject to mechanical stress.
- Do not use chemically active or abrasive detergents to clean the product. Use a damp flannel cloth instead.
- Do not exceed the specified power rating. This may result in a short circuit and electric shock.
- Do not disassemble the product yourself - diagnostics and repairs of the device should only be carried out at a certified service center.

5. CONNECTION

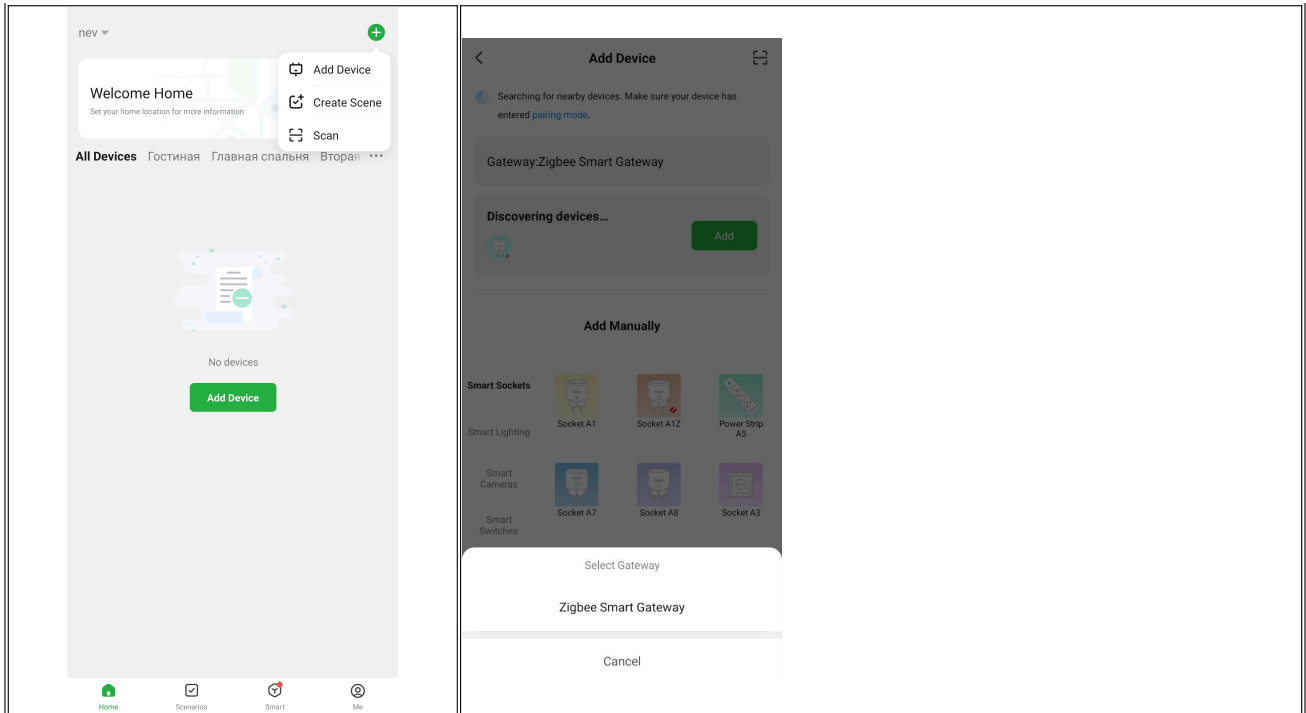
To connect the Nous device, you need a smartphone based on the Android or iOS mobile operating system with the Nous Smart Home application installed. This mobile application is free and available for download from Play Market and App Store. The QR code for the application is given below:



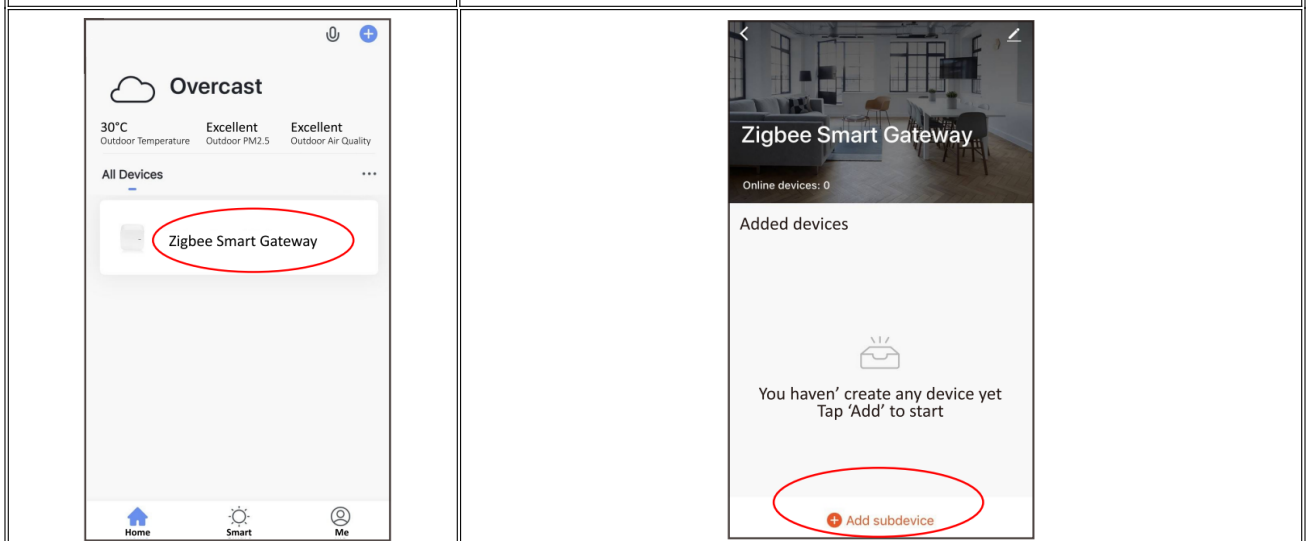
After installing the program, for its correct operation, it is necessary to grant it all permissions in the corresponding section of the smartphone settings. Then you need to register a new user of this program.

The procedure for connecting the device to the Zigbee network:

1	Connect the smartphone to the access point that will be used to connect the device (your ZigBee hub should already be connected to the app). Make sure the network frequency range is 2.4 GHz, otherwise the device will not connect, as Zigbee Hubs are not designed to work with 5 GHz Wi-Fi networks (Nous E15 ZigBee hub is universal and works at 2.4/5 GHz)
2	Connect the device to the network. If the global indication does not flash quickly, then press the button for 5-7 seconds to reset the smart outlet settings to factory values.
3	Open the Nous Smart Home app and click the button to add a new device
4	An autoscan will appear, prompting you to add a new device. Confirm the connection and start pairing.
5	If autoscan doesn't see your device, you can select it manually from the list of devices



6	In the "Add Manually" tab, select the "Smart Switches" category, and in it the "Nous B5Z" model, as shown in the figure above;
7	In the window that opens, select "next step" and click the "Next" button;
8	Connection to the Zigbee hub

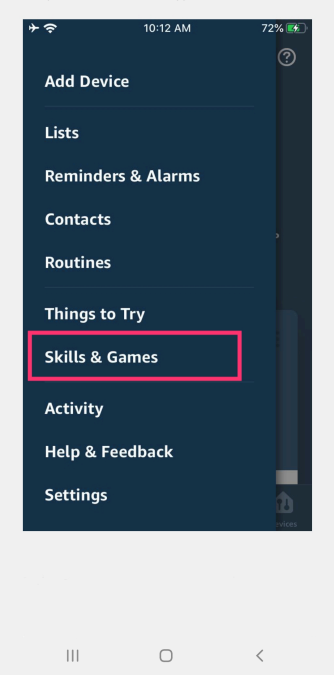
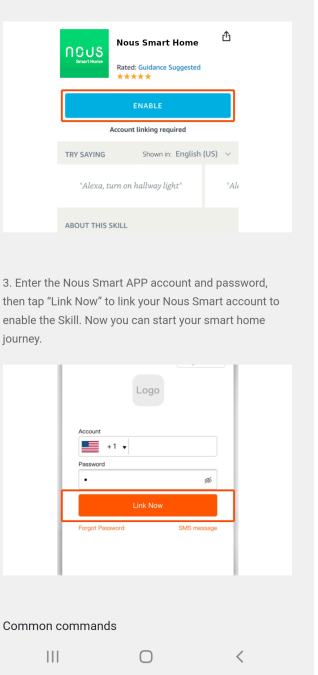


8	A window will appear indicating the degree of network connection and adding the current user of the program to the list of devices:
9	After the procedure, a window will appear in which you can set the name of the device and choose the room in which it is located. The device name will also be used by Amazon Alexa and Google Home.
10	To delete all data from the smart socket, in the device menu, you need "Delete device", "disabled and delete all data"

When the device is removed from the device list of the application user, the settings of the smart socket will be reset to factory values and it will be necessary to shorten the procedure of connecting to the Wi-Fi network again. If the password for the Wi-Fi access point was entered incorrectly, then after the timer expires, a "failed to connect to Wi-Fi" window appears in the application with step-by-step instructions to fix the problem.

How to connect your device to Alexa:

1	Sign in with your Alexa account and password (if you're not already signed in, sign up first); After logging in, click the menu in the upper left corner, then click "Settings" and select "Set up a new device";
2	Select "Skills" in the options bar, then search for "NOUS Smart Home" in the search bar; In the search results, select NOUS Smart Home, then click Enable.

3	Enter the username and password you previously registered (the account is only supported in the United States); When you see the correct page, it means that your Alexa account is linked to your NOUS Smart Home account.
	 <p>3. Enter the Nous Smart APP account and password, then tap "Link Now" to link your Nous Smart account to enable the Skill. Now you can start your smart home journey.</p>
4	<p>Device discovery: Users must tell Echo, "Echo (or Alexa), open my devices." Echo will start to find the devices added in NOUS Smart Home APP, it will take about 20 seconds to show the result. Or you can click "Open devices" in Alexa APP, it will show the devices found successfully. Note: "Echo" is one of the wake-up names, which can be any of these three names (Settings): Alexa/Echo/Amazon.</p>
5	<p>List of support skills User can control devices with following instructions: Alexa, turn on [device] Alexa, turn off [device]</p>
<p>Attention: the name of the device must match the NOUS Smart Home APP.</p>	