

# OPERATING INSTRUCTIONS

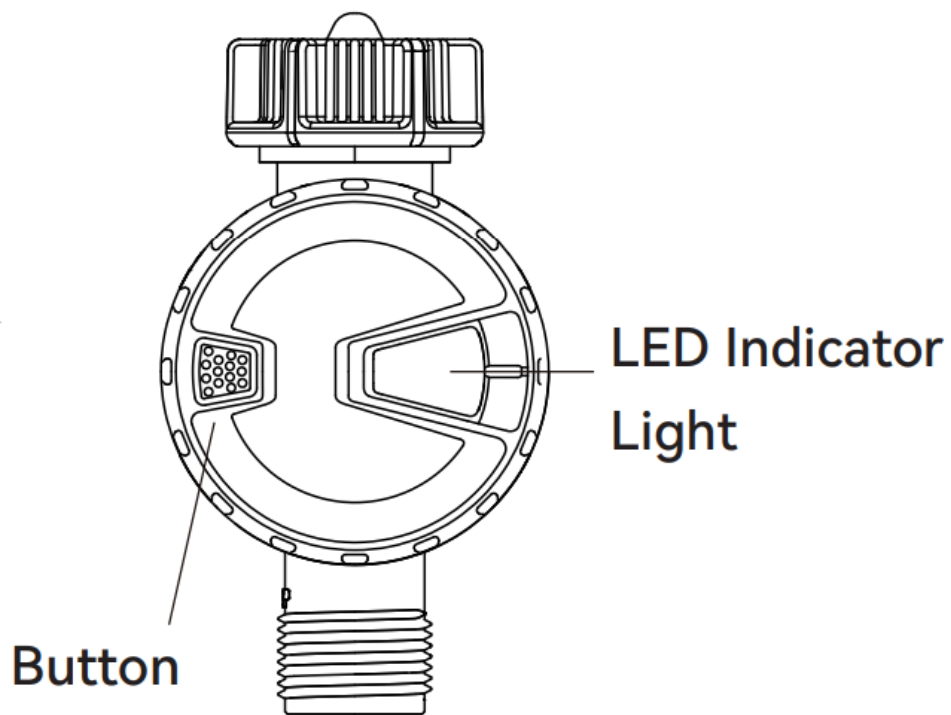
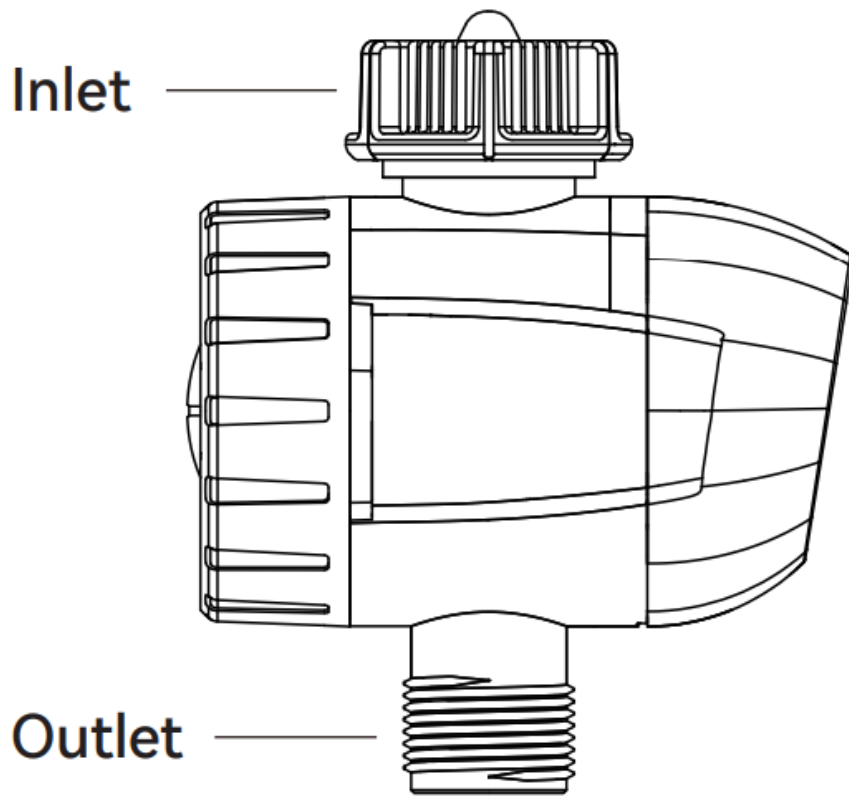
## BLUETOOTH IRRIGATION CONTROLLER



You will need the Nous Smart Home app. Scan the QR code or download it from [the direct link](#)



### About the controller



### How to connect and use

- Insert 3\*AAA batteries first, then press and hold the rubber button until the blue LED starts to flash quickly, which means the device is ready to connect.



- open the Nous Smart Home app
- Select "Add Device" to start the connection, then look for "Bluetooth Smart" under the "Smart Irrigation" row. Turn on Bluetooth on your phone. Then confirm the prompt below and click Next to start searching for your device.

17:00 ↗



Add Manually

Auto Scan



Smart Socket



Bluetooth Smart



Smart Gateway



WiFi 2-Zone Smart

Smart Irrigation



Wifi Water Timer



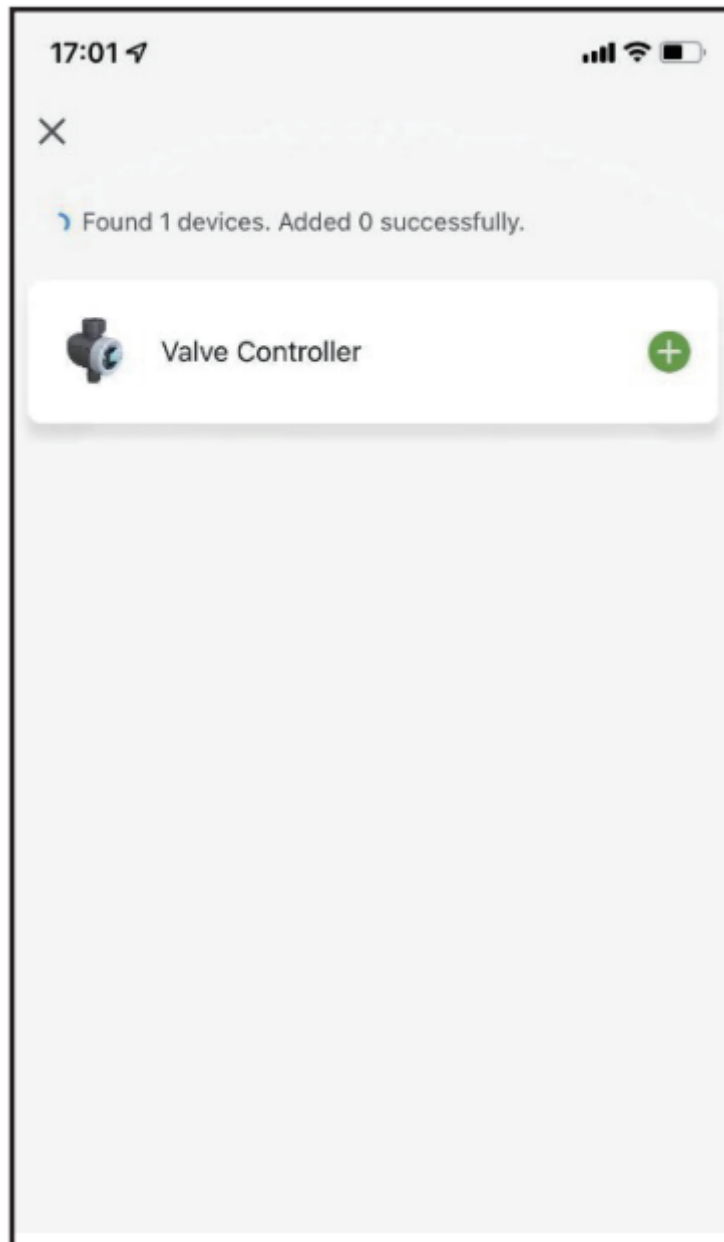
Bluetooth Water



Irrigation Hub



Wi-Fi Water Timer



- Click the "+" button to the right of the found device and click the "Next" button after the connection is complete.

14:21 ↗



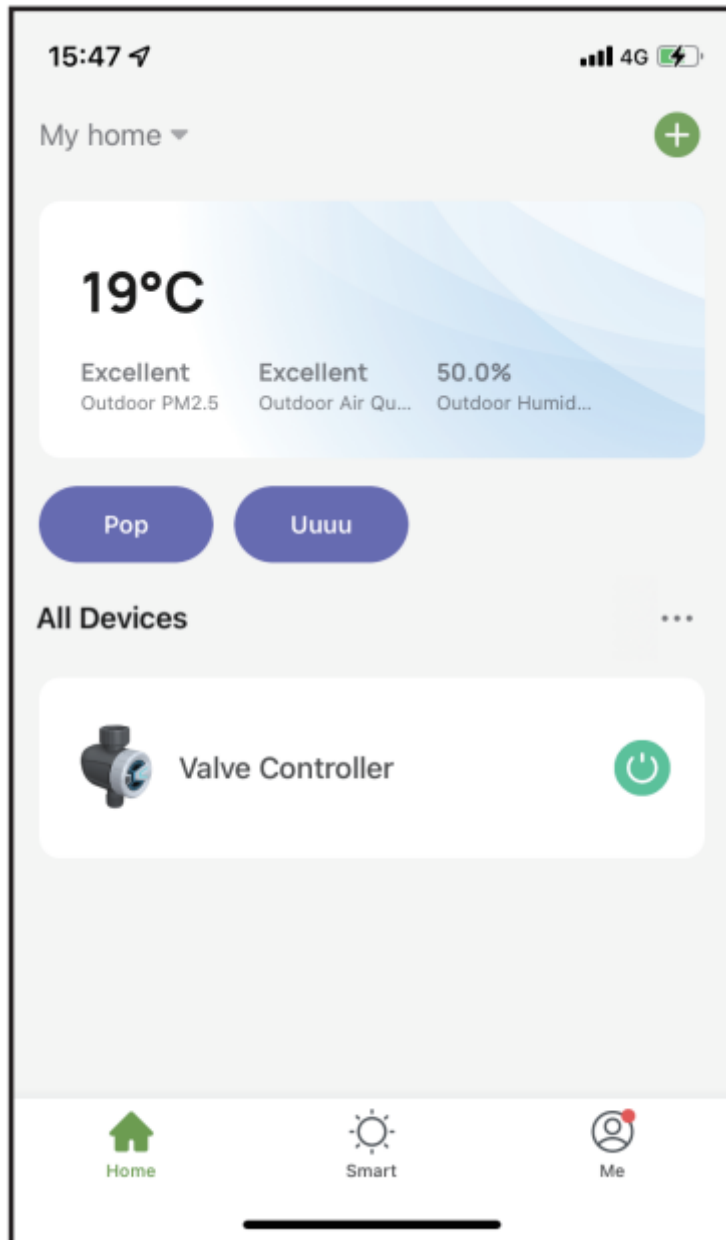
Found 1 devices. Added 1 successfully.



Valve Controller



Next



- Click "Done" for final confirmation after successfully adding the device.
- Once connected, the paired devices will be displayed on the main page.

### Because of

When connecting or setting up a watering schedule, make sure the smartphone is near the Bluetooth water timer. The best range for connecting and working is within 60 meters in an open area.

The watering timer will follow and execute the pre-set watering schedule after successfully setting up the program, even if the phone is out of the best connection range.