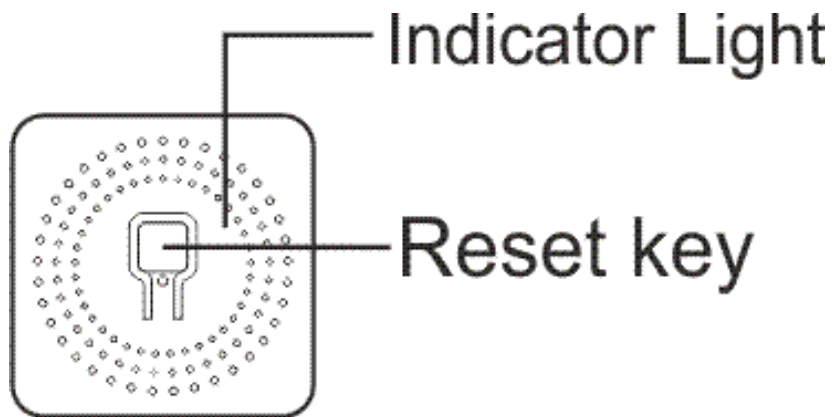


Instrukciju vadovas

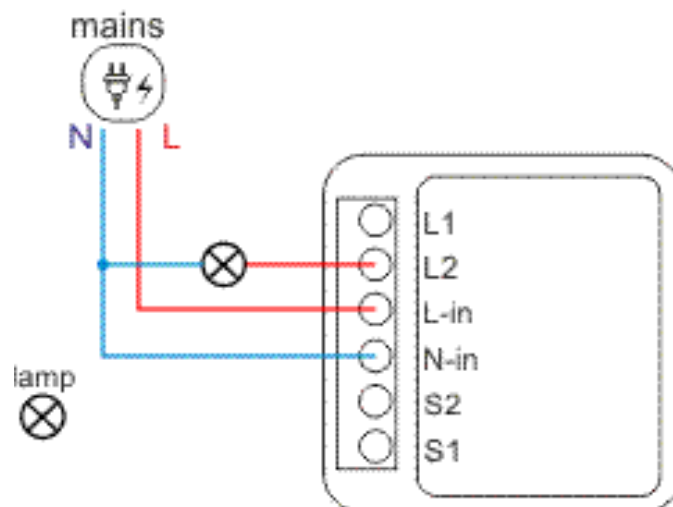
Išmanusis WiFi jungiklio modulis L13

Jums būs nepieciešamas „Nous Smart Home“ programmas. Nuskaitykite QR kodu arba atsitraukite jį iš **tiesioginās nuorodos**

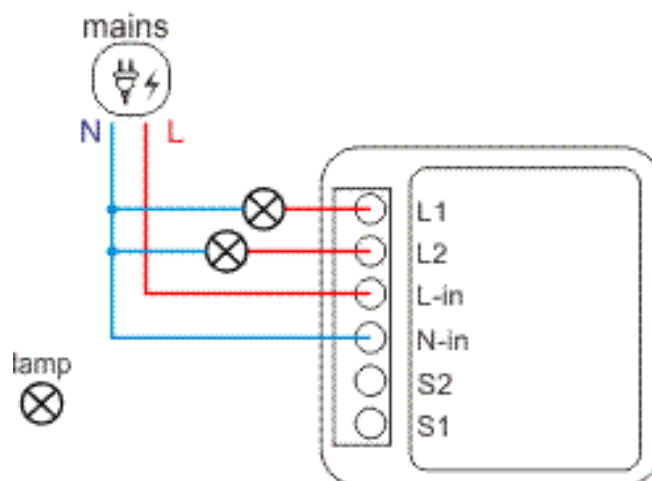


Kaip prijungti laidā

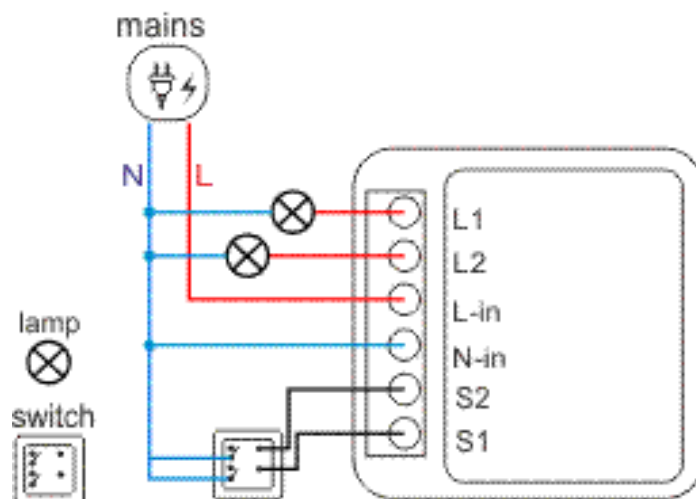
1 gang



2 gang



2 gang 1 way



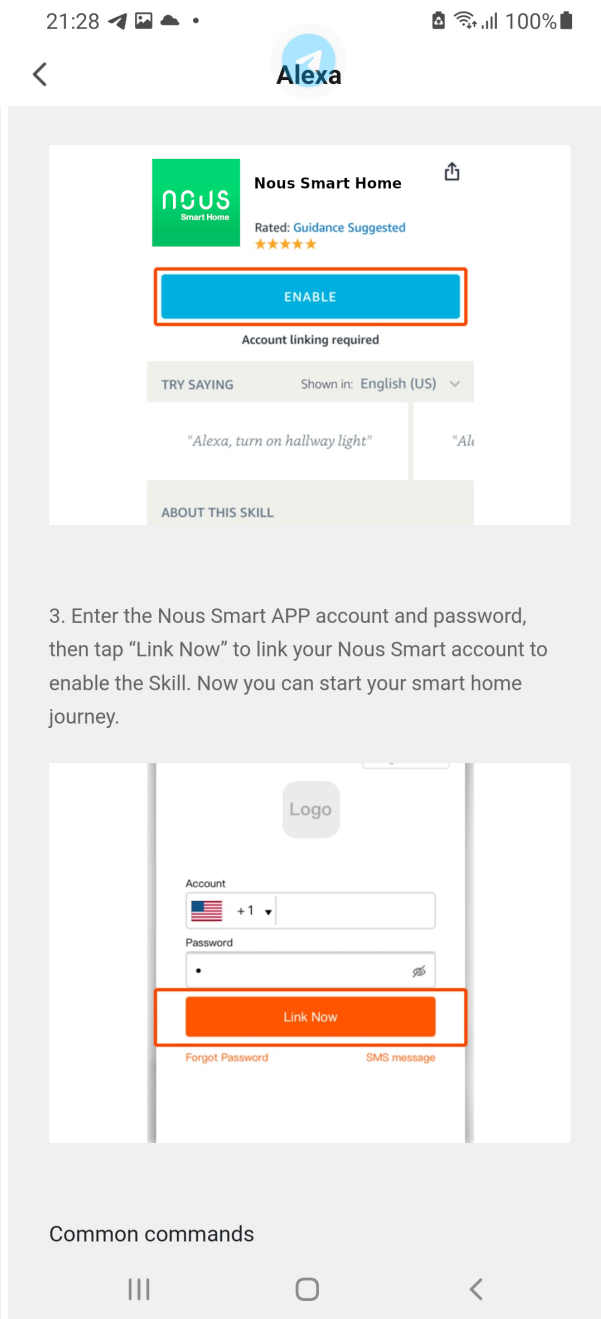
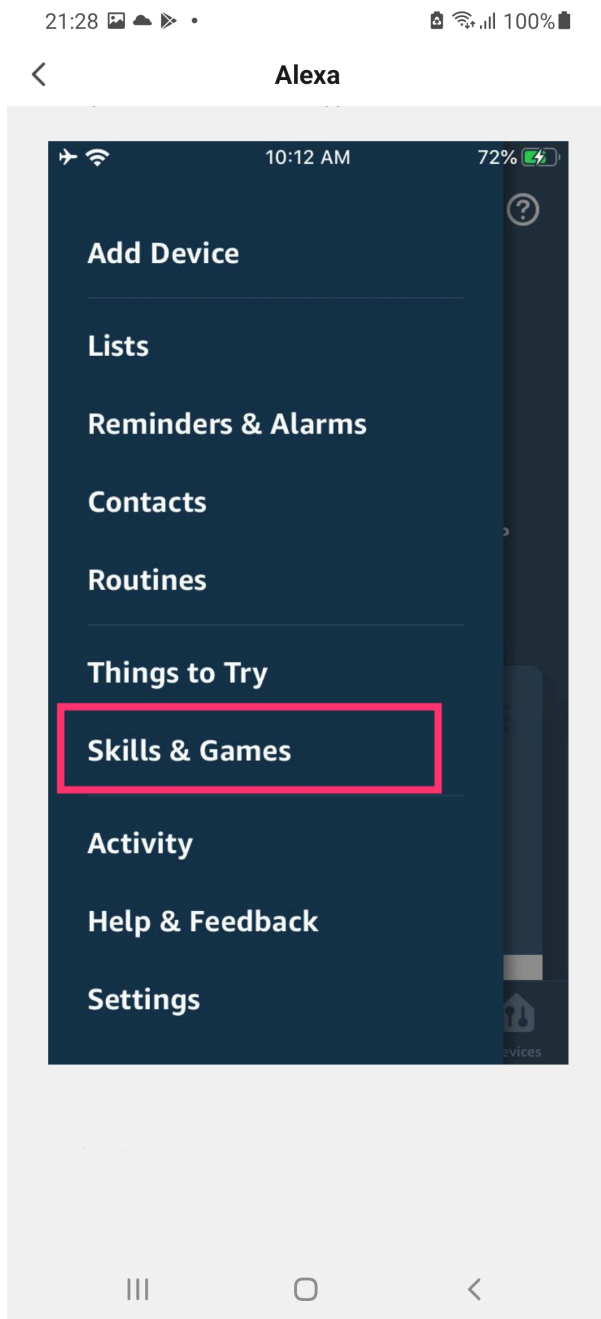
Kaip pievienot“ prie „Nous Smart programos

1. Ievadīt
2. Iztikinkite, kad indikatorius mirksi greitai (jei ne, palaikykite maitinimo mygtuką 5 sekundes, kol pradēs greitai mirksėti)
3. Turn on Bluetooth and Location on your phone(temporarily)
4. Open Nous Smart app
5. Press + and Add device
6. Autoscan will appear and it will suggest you to add new device

7. Confirm connection and your WiFi network data
8. Start pairing
9. After pairing is done, you can rename your device if you wish and its ready to be used
10. If autoscan does not see your device, you can pick it manually from the list and proceed to connection from step number 7.

How to connect your device with Alexa

1. You have to have Alexa app on your smartphone
2. Go to settings and press "Skill and Games"
3. Search for the Nous Smart Home skill
4. Enable it
5. Link your Nous account with Alexa
6. Ask Alexa to discover new devices



How to connect your device with Google Home

1. Viedtālrunī ir jābūt lietotnei Google Home
2. Atveriet mājas iestatījumus un nospiediet "darbojas ar Google"
3. Meklējiet Nous Smart Home
4. Susie sauc par "Google sākuļlapu".
5. Visi iekārtas no „Nous Smart“ programmas po sinhronizavimo bus rodomi „Google Home“.

