

# MANUAL DE INSTRUCCIONES

## Módulo Conmutador Smart ZigBee L13Z

Necesitará la aplicación Nous Smart Home. Escanee el código QR o descárguelo desde el **enlace directo**



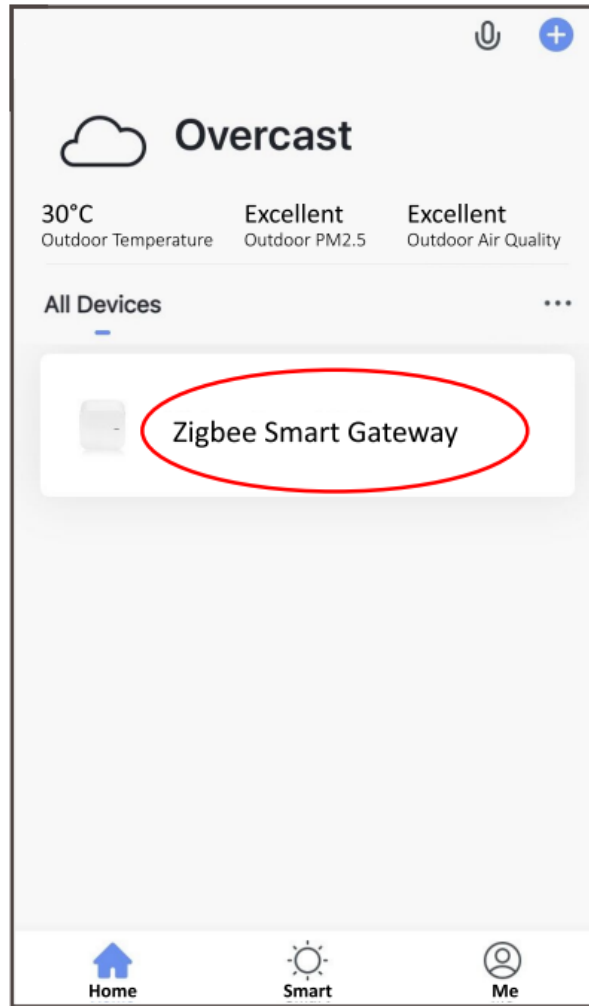
**\*y necesitará Nous E1 u otro ZigBee Gateway/Hub compatible con Tuya**

## Lista de verificación antes de usar el dispositivo:

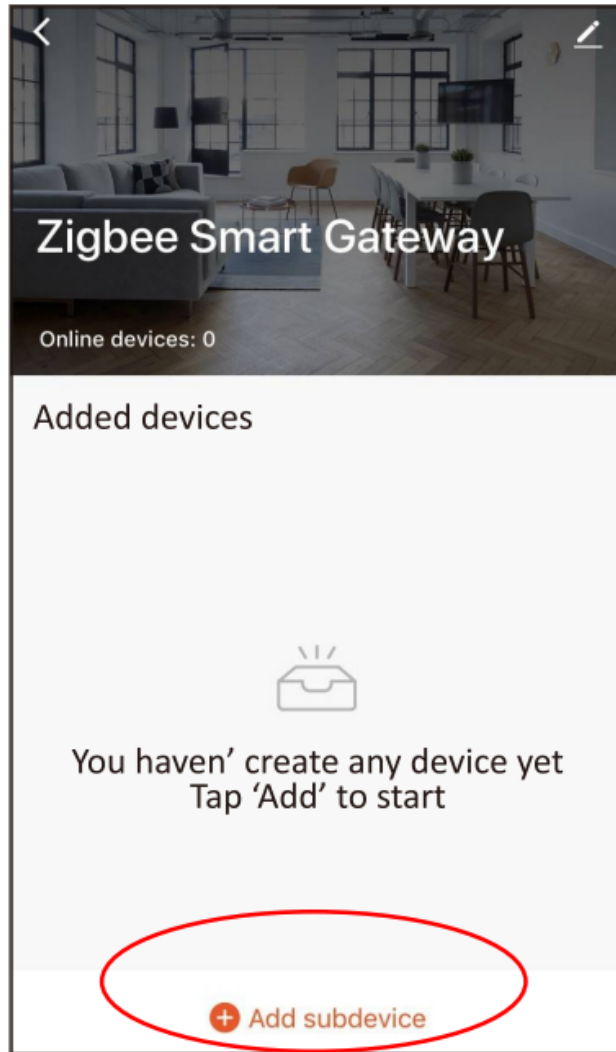
- Su teléfono inteligente o tableta se ha conectado a un WiFi con internet.
- Tienes la WiFi PWD correcta
- Your smart phone or tablet must have access to App Store Google Play.
- Your router is MAC-open

## User Guide

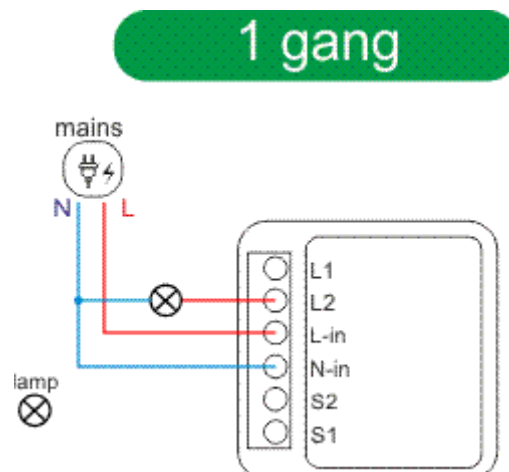
- Start with "Nous Smart Home" APP.
- Register an Nous Smart Home If your have Nous Smart Home just log in.
- Open Nous Smart Home app, on smart gateway homepage (**your ZigBee Hub has to be connected to the app already**),  
Click: Zigbee Smart Gateway



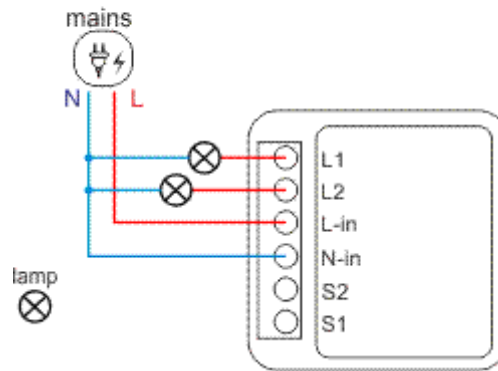
- Press + and Add device



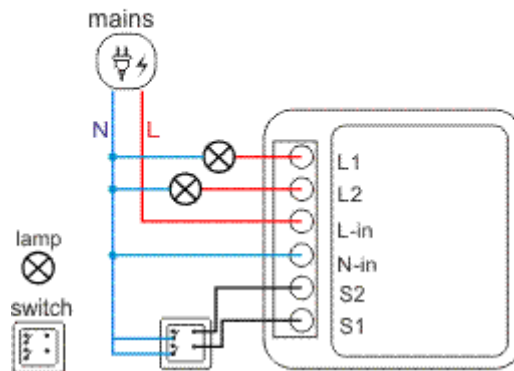
- Power on
- ON/OFF operating principle: The connected appliances work/stop through live wire power on/off.



## 2 gang

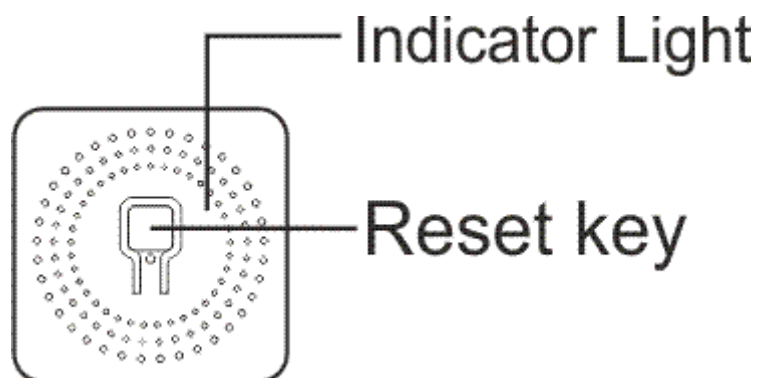


## 2 gang 1 way

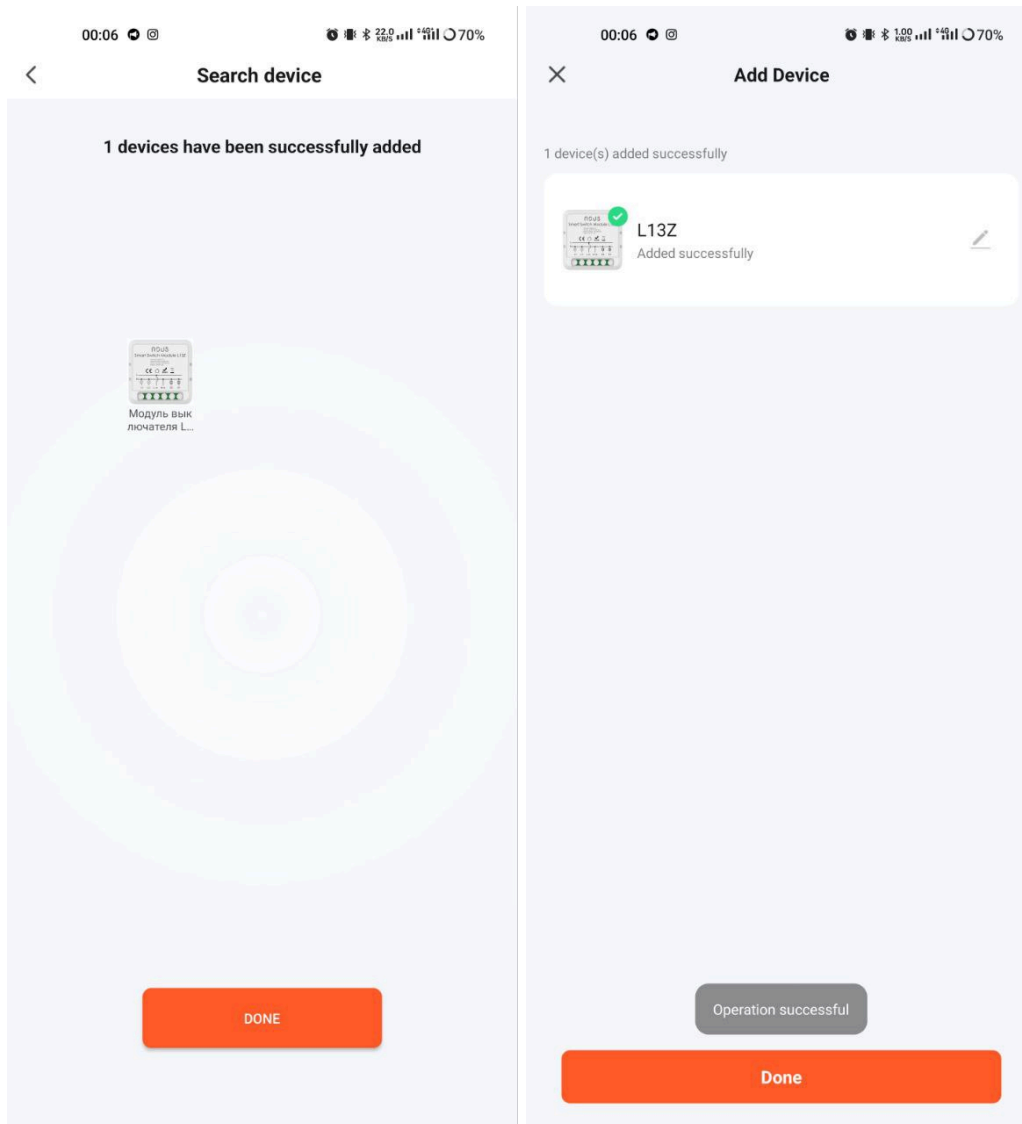


Note: The ZigBee Switch must be powered up by N and L wires

- Press the reset button for 5 seconds, till the blue LED blink, then click "LED already blink" on the app.

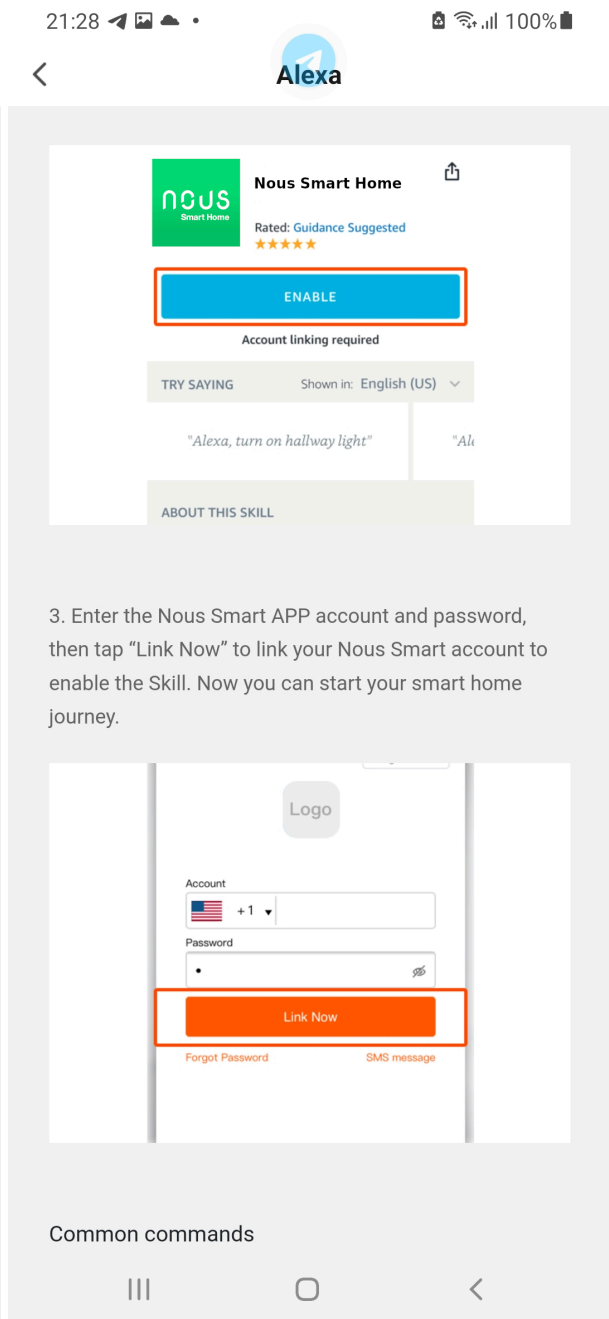
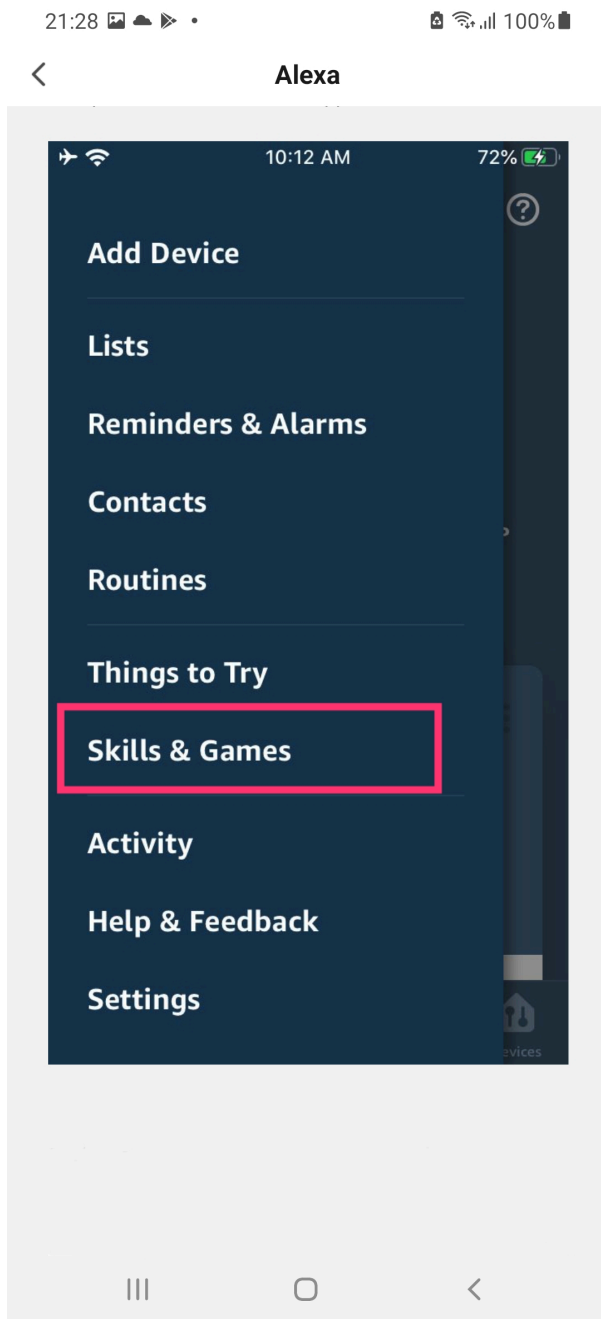


- Waiting for a few seconds, you can see the this device is shown and you may rename it.



## How to connect your device with Alexa

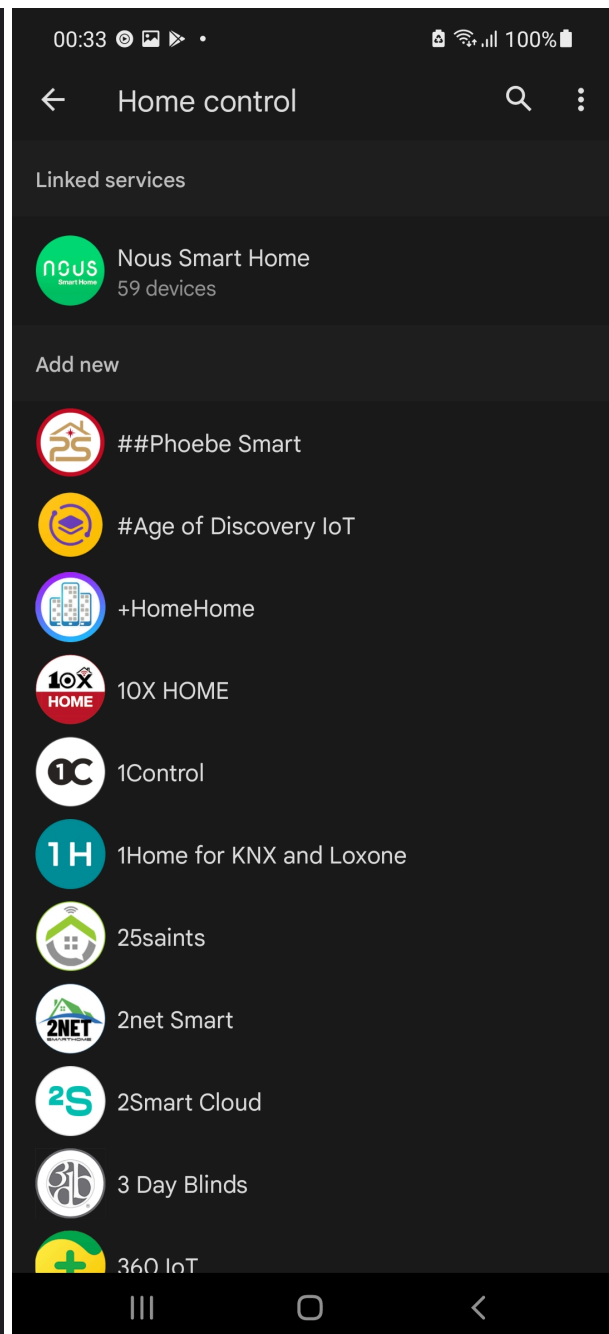
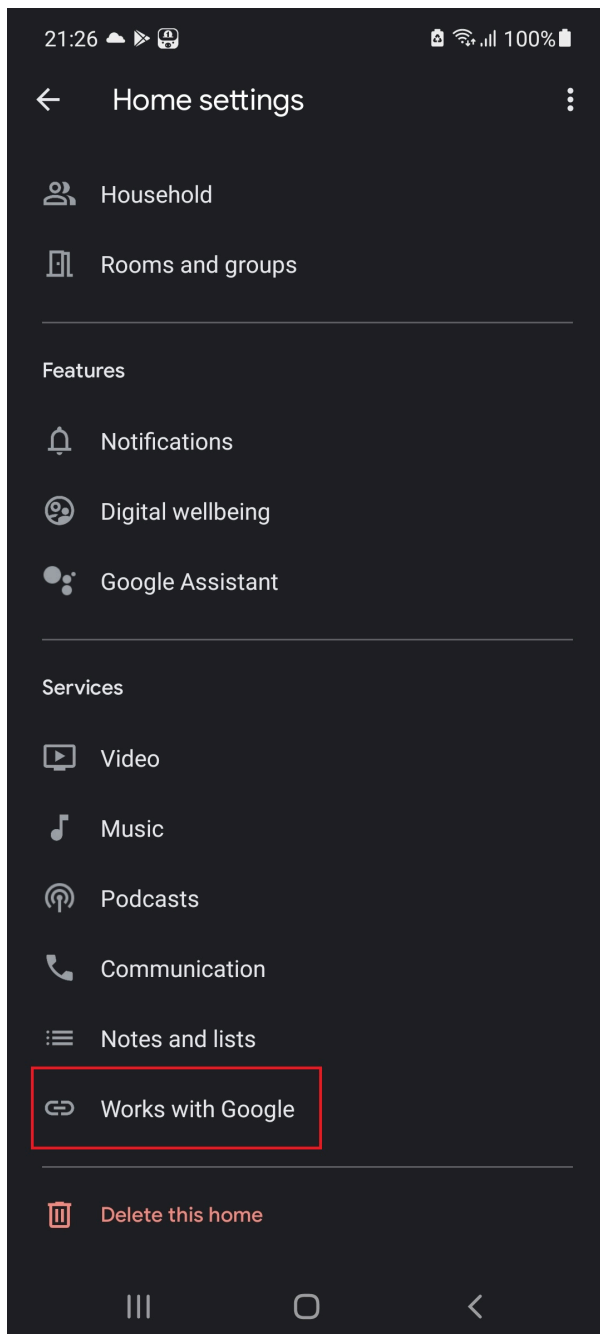
1. You have to have Alexa app on your smartphone
2. Go to settings and press "Skill and Games"
3. Search for the Nous Smart Home skill
4. Enable it
5. Link your Nous account with Alexa
6. Ask Alexa to discover new devices



3. Enter the Nous Smart APP account and password, then tap "Link Now" to link your Nous Smart account to enable the Skill. Now you can start your smart home journey.

# How to connect your device with Google Home

1. You have to have Google Home app on your smartphone
2. Go to the home settings and press "works with google"
3. Search for the Nous Smart Home
4. Link the account with the Google Home
5. All devices from Nous Smart app will appear in Google Home after synchronization



## Troubleshooting

### Q1: How to set indicator light as rapid flashing?

- Power on device. Power off after 10s and then power on.
- Hold the reset button for 5s.
- Confirm indicator light is now rapidly flashing

### Q2: How to set indicator light as slow flashing?

- Power on device. Power off after 10s and then power on.
- Hold the reset button for 5s
- Confirm indicator light is now rapidly flashing.
- Hold reset button for 5s until indicator light is slowly flashing.

El nuevo dispositivo agregado necesita 1 minuto para conectarse a las redes e Internet. Si permanece desconectado durante mucho tiempo, juzgue el problema por el estado del LED de las redes. El LED

de redes parpadea rápidamente una vez cada segundo;

\* Esta traducción puede ser inexacta porque se realizó con el servicio de traducción de Google.