

INSTRUKCJA OBSŁUGI

Inteligentny moduł przełączający ZigBee L13Z

Będziesz potrzebować aplikacji Nous Smart Home. Zeskanuj kod QR lub pobierz go z **bezpośredniego linku**



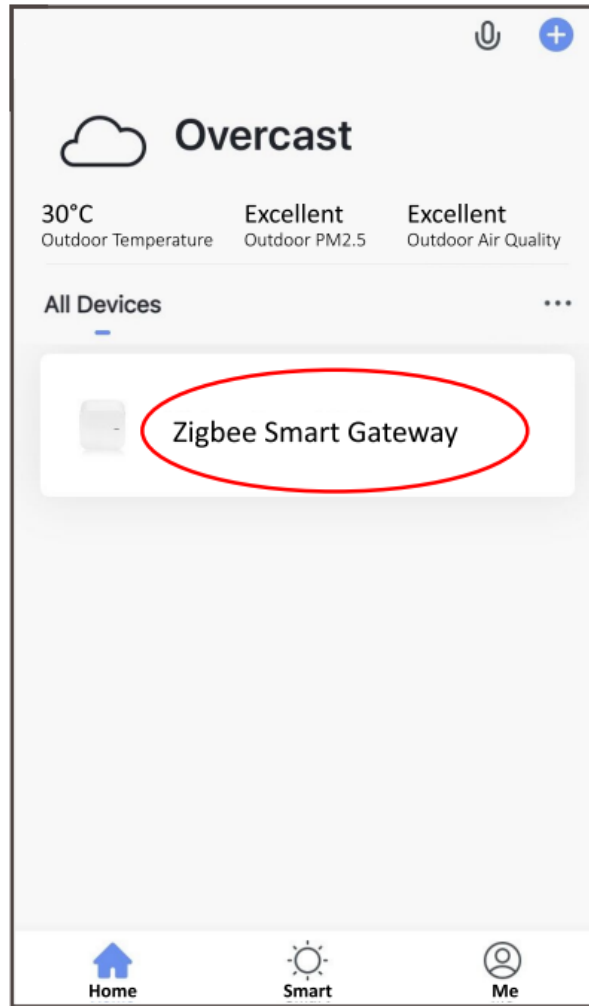
***i będziesz potrzebować Nous E1 lub innego kompatybilnego z Tuya ZigBee Gateway/Hub**

Lista kontrolna przed użyciem urządzenia:

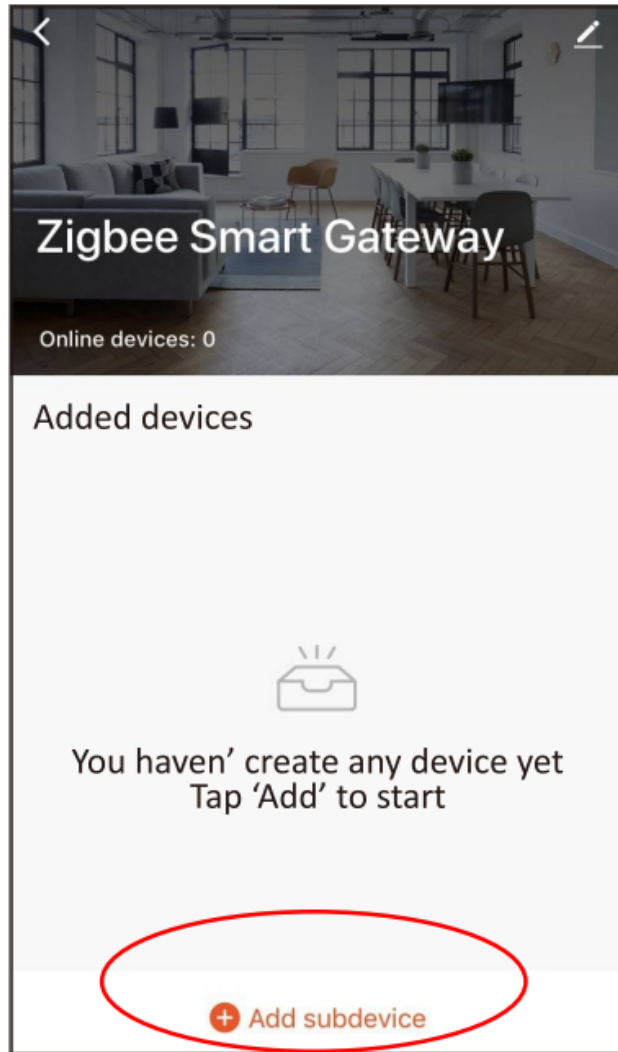
- Twój smartfon lub tablet połączył się z Wi-Fi z Internetem.
- Masz poprawne PWD Wi-Fi
- Your smart phone or tablet must have access to App Store Google Play.
- Your router is MAC-open

User Guide

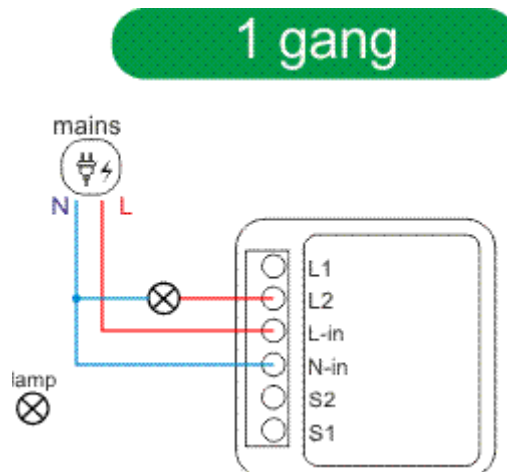
- Start with "Nous Smart Home" APP.
- Register an Nous Smart Home If your have Nous Smart Home just log in.
- Open Nous Smart Home app, on smart gateway homepage (**your ZigBee Hub has to be connected to the app already**),
Click: Zigbee Smart Gateway



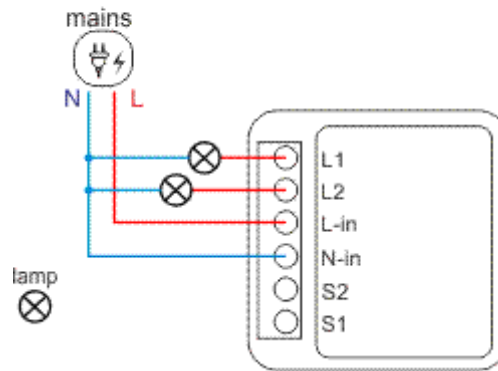
- Press + and Add device



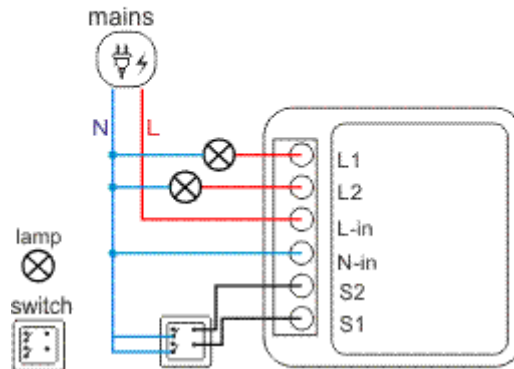
- Power on
- ON/OFF operating principle: The connected appliances work/stop through live wire power on/off.



2 gang

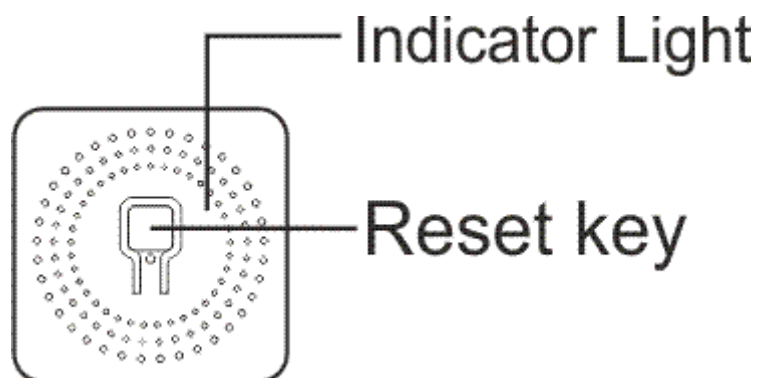


2 gang 1 way

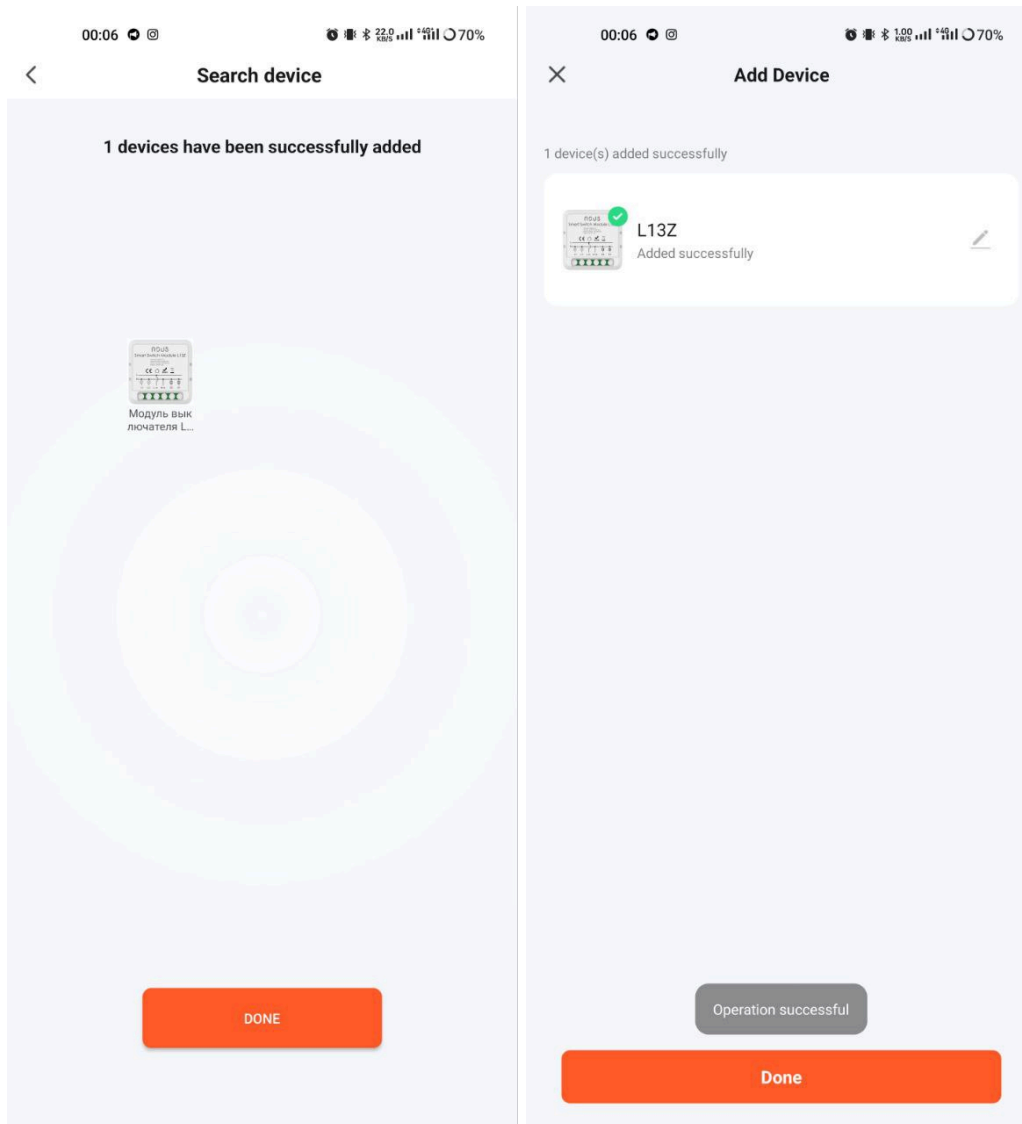


Note: The ZigBee Switch must be powered up by N and L wires

- Press the reset button for 5 seconds, till the blue LED blink, then click "LED already blink" on the app.

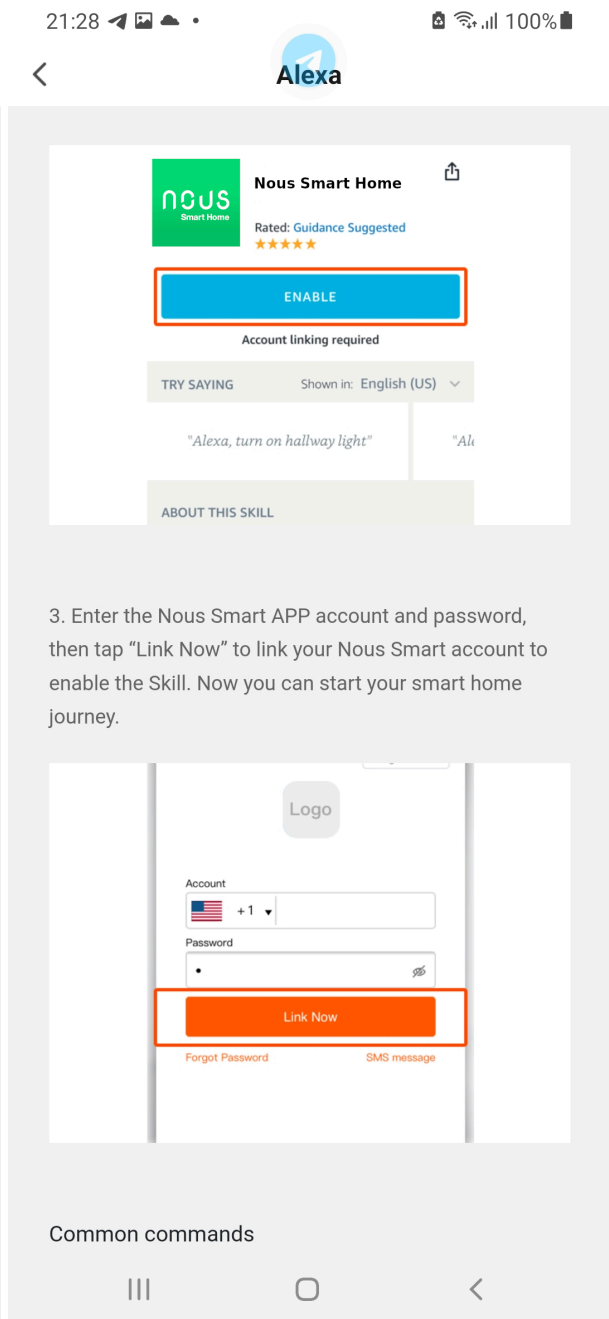
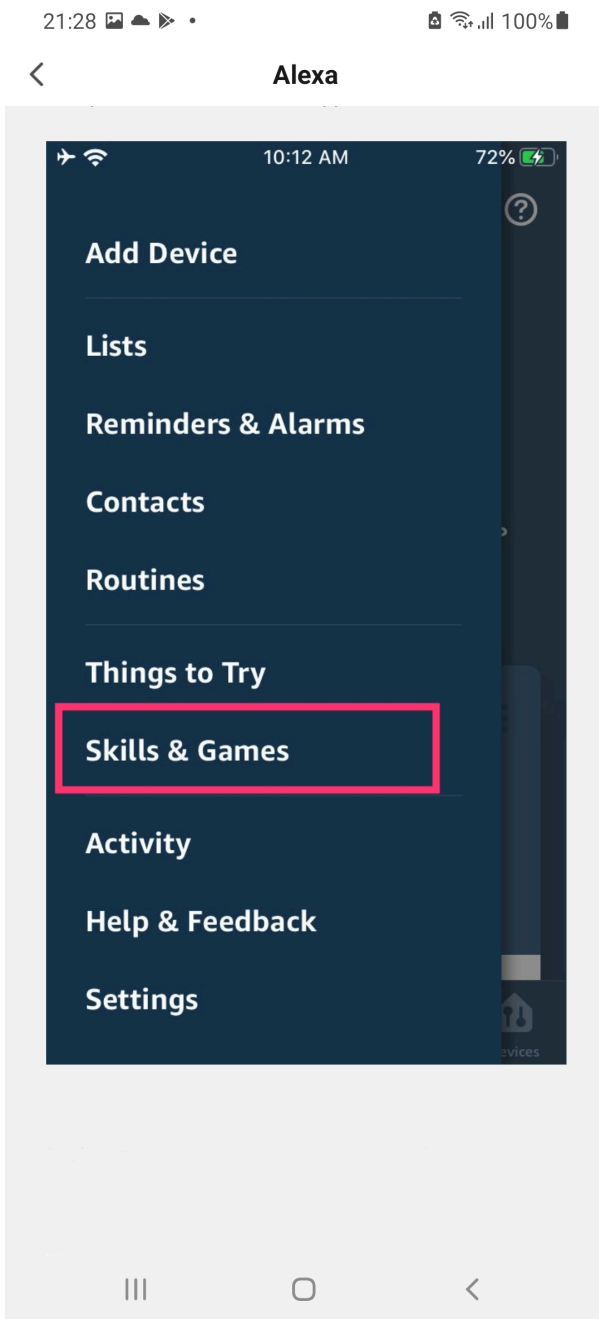


- Waiting for a few seconds, you can see the this device is shown and you may rename it.



How to connect your device with Alexa

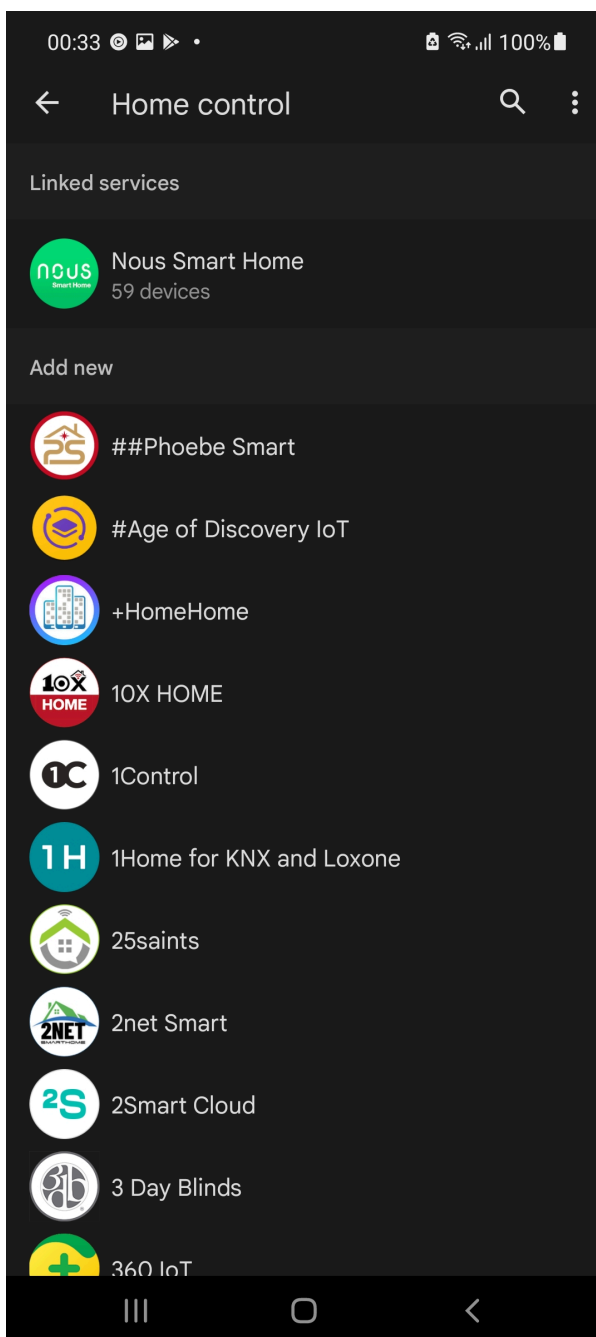
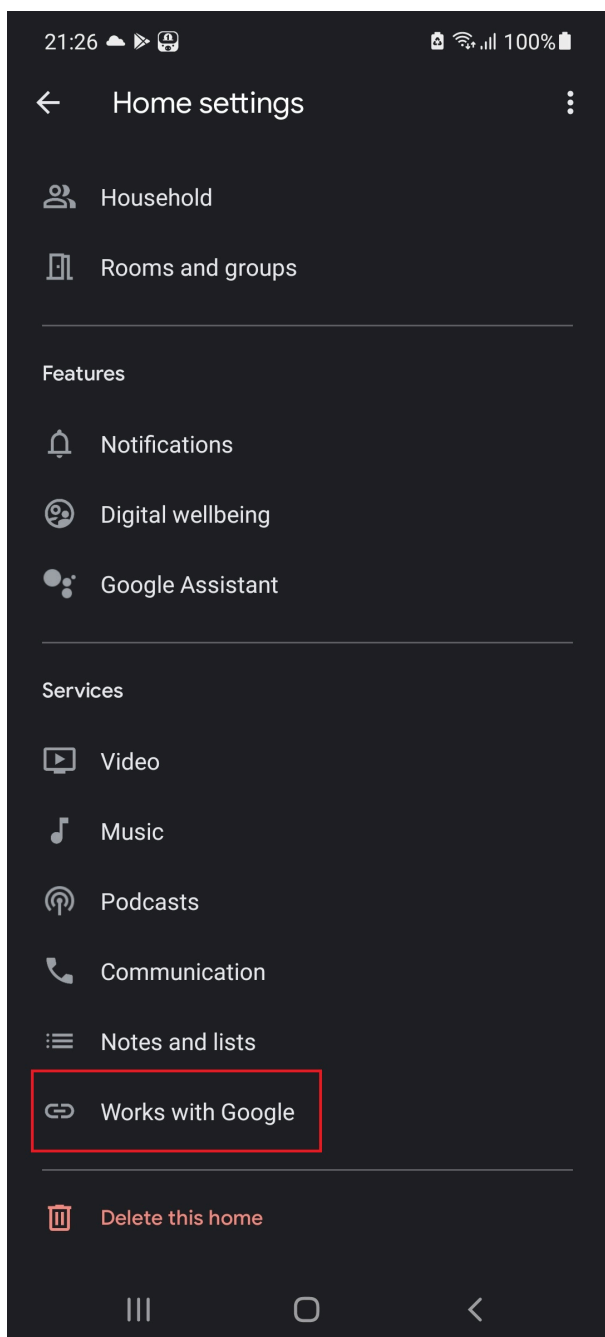
1. You have to have Alexa app on your smartphone
2. Go to settings and press "Skill and Games"
3. Search for the Nous Smart Home skill
4. Enable it
5. Link your Nous account with Alexa
6. Ask Alexa to discover new devices



3. Enter the Nous Smart APP account and password, then tap "Link Now" to link your Nous Smart account to enable the Skill. Now you can start your smart home journey.

How to connect your device with Google Home

1. You have to have Google Home app on your smartphone
2. Go to the home settings and press "works with google"
3. Search for the Nous Smart Home
4. Link the account with the Google Home
5. All devices from Nous Smart app will appear in Google Home after synchronization



Troubleshooting

Q1: How to set indicator light as rapid flashing?

- Power on device. Power off after 10s and then power on.
- Hold the reset button for 5s.
- Confirm indicator light is now rapidly flashing

Q2: How to set indicator light as slow flashing?

- Power on device. Power off after 10s and then power on.
- Hold the reset button for 5s
- Confirm indicator light is now rapidly flashing.
- Hold reset button for 5s until indicator light is slowly flashing.

Nowo dodane urządzenie potrzebuje 1 minuty, aby połączyć się z sieciami i Internetem, jeśli pozostaje w trybie offline przez długi czas, oceń problem na podstawie stanu diod LED sieci. Dioda LED sieci

szybko miga raz na sekundę;

* To tłumaczenie może być niedokładne, ponieważ zostało wykonane za pomocą usługi tłumacza Google